

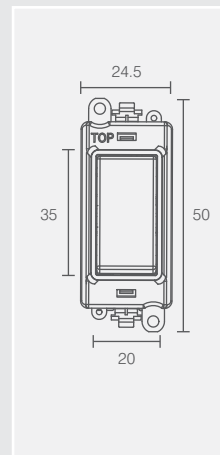


20AX Intermediate Switch Modules

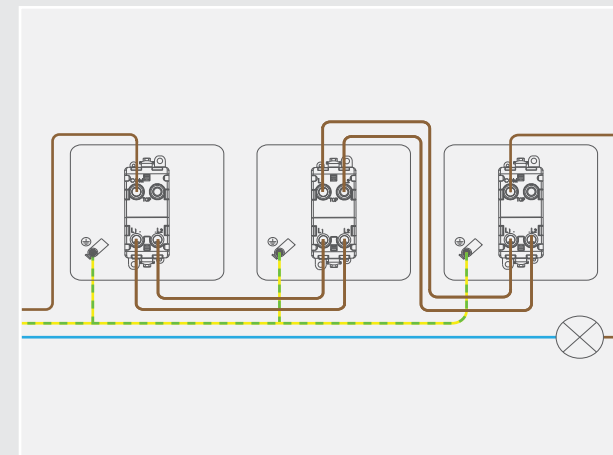
GM2028PW	20AX Intermediate Switch Module - White
GM2028BK	20AX Intermediate Switch Module - Black
GM2028PWBR	20AX Intermediate Switch Module - White - Polished Brass
GM2028PWBS	20AX Intermediate Switch Module - White - Brushed Stainless
GM2028PWCH	20AX Intermediate Switch Module - White - Polished Chrome
GM2028PWPN	20AX Intermediate Switch Module - White - Pearl Nickel
GM2028PWBSB	20AX Intermediate Switch Module - White - Satin Brass
GM2028PWSC	20AX Intermediate Switch Module - White - Satin Chrome
GM2028PWSS	20AX Intermediate Switch Module - White - Stainless Steel
GM2028BKAB	20AX Intermediate Switch Module - Black - Antique Brass
GM2028BKBN	20AX Intermediate Switch Module - Black - Black Nickel
GM2028BKBR	20AX Intermediate Switch Module - Black - Polished Brass
GM2028BKBS	20AX Intermediate Switch Module - Black - Brushed Stainless
GM2028BKCH	20AX Intermediate Switch Module - Black - Polished Chrome
GM2028BKPN	20AX Intermediate Switch Module - Black - Pearl Nickel
GM2028BKSB	20AX Intermediate Switch Module - Black - Satin Brass
GM2028BKSC	20AX Intermediate Switch Module - Black - Satin Chrome
GM2028BKSS	20AX Intermediate Switch Module - Black - Stainless Steel

Standards: Switch Modules: BS EN 60669-1
 Back Box Depth: 25mm Minimum Cable Size: 2 x 4mm, 3 x 2.5mm, 1 x 6mm

DIMENSIONS (mm)



TYPICAL INTERMEDIATE SWITCHED CIRCUIT



Material Composition

Rocker Switch: Urea or Urea + Stainless Steel Cover (Ingot)
 Cover, Insert & Rear Housing: Nylon
 Terminals: Brass
 Terminal Screws: Steel & Yellow Passivated
 Silver *on-lay* Copper / Brass Contacts

Voltage

250V – 50Hz

Current Rating

20AX (suitable for inductive loads)

Terminal Size

5mm ø

Torque Value

1.2Nm

Cable Size

2 x 4mm², 3 x 2.5mm² or 1 x 6mm²

Back Box Depth

25mm - 47mm (Deco®, Deco Plus®, Mode®, Polar®) 35mm - 47mm (Define®, Definity®)

Modular

Yes

Warranty

10 Years

Antimicrobial Certified

Yes (Non Ingot Switches Only)

IP Rating

IP20

Operational Temperature

-5°C to +40°C

Standards

BS EN 60669-1:1999 + A1:2002 + A2:2008

Additional Information:

Ensure that the mains supply is isolated before commencing installation and refer to the circuit diagram supplied with the relevant product. These products are rated at 20AX; therefore all terminals should not exceed the stated amperage. Bare earth cables must always be covered with appropriate sleeving and wired to the earth terminal. All white moulded accessories are manufactured using Urea Formaldehyde, which has similar inherent properties to antimicrobial additives that inhibit the growth of infectious diseases. All products were independently tested and achieved a 99.9% kill rate across all four types of the strains of bacteria - MRSA, E-Coli, Salmonella, and Klebsiella Pneumoniae.